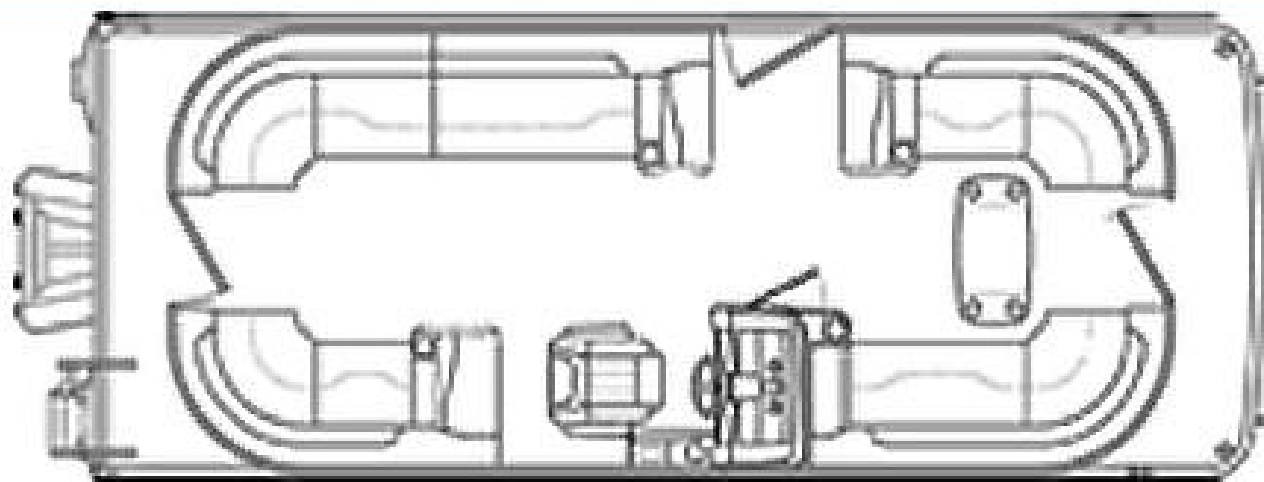


Bennington 23SSRXCXP

Hot Model Now in Stock!!



Make	Location	Length	Condition
Bennington	Woodbridge, VA, United States	24 ft	New
Model	Year	Hull Speed	
23SSRXCXP	2019	39 mph	

Yamaha Pre-Rig Porta Potti In-Floor Storage (3 Tube) Bimini Blue Ice LED Lighting Bennington Engraved Stainless Steel Cleat Illuminated Kicker Speaker Upgrade (4) Kicker KMC10 Stereo Upgrade S/SX/SXP Series RGB Toe Kick Lighting (SXP) Striker 4 Fish Graph (S/SX/SXP) RGB Lighting and Switch Panel (SXP) REQUIRES RGB LIGHTING SELECTION Zebrawood Slate Panel - Smokey Granite Crystal Cap (SX/G) Interior Accent - Driftwood Pillowtop Diamond Pressed Upholstery Upgrade (SXP Cruise) Canvas - Smokey Granite Accent - Champagne Sandstone Stainless Steel Rub

Additional Information and Photos

Rail (22/25 G/S) Privacy Chaise (74" SXP) Table Exchange - Zebrawood Slate Rectangular Table Woven...

Additional Information and Photos

Measurements

Cruising Speed: 30 mph
Max Speed: 39 mph
LOA: 24 ft 9 in
Beam: 8 ft 6 in
Number of Heads: 1

Propulsion

Engine #1
Engine Make: YAMAHA
Engine Model: F150XB
Primary Engines: Outboard-4S
Engine Year: 2019
Hours: unknown
Power: 150 hp
Propeller Type: 3 Blade
Propeller Material: Aluminum

Disclaimer

The Company offers the details of this vessel in good faith but cannot guarantee or warrant the accuracy of this information nor warrant the condition of the vessel. A buyer should instruct his agents, or his surveyors, to investigate such details as the buyer desires validated. This vessel is offered subject to prior sale, price change, or withdrawal without notice.

Additional Information and Photos



Additional Information and Photos



Additional Information and Photos



Additional Information and Photos



Additional Information and Photos

